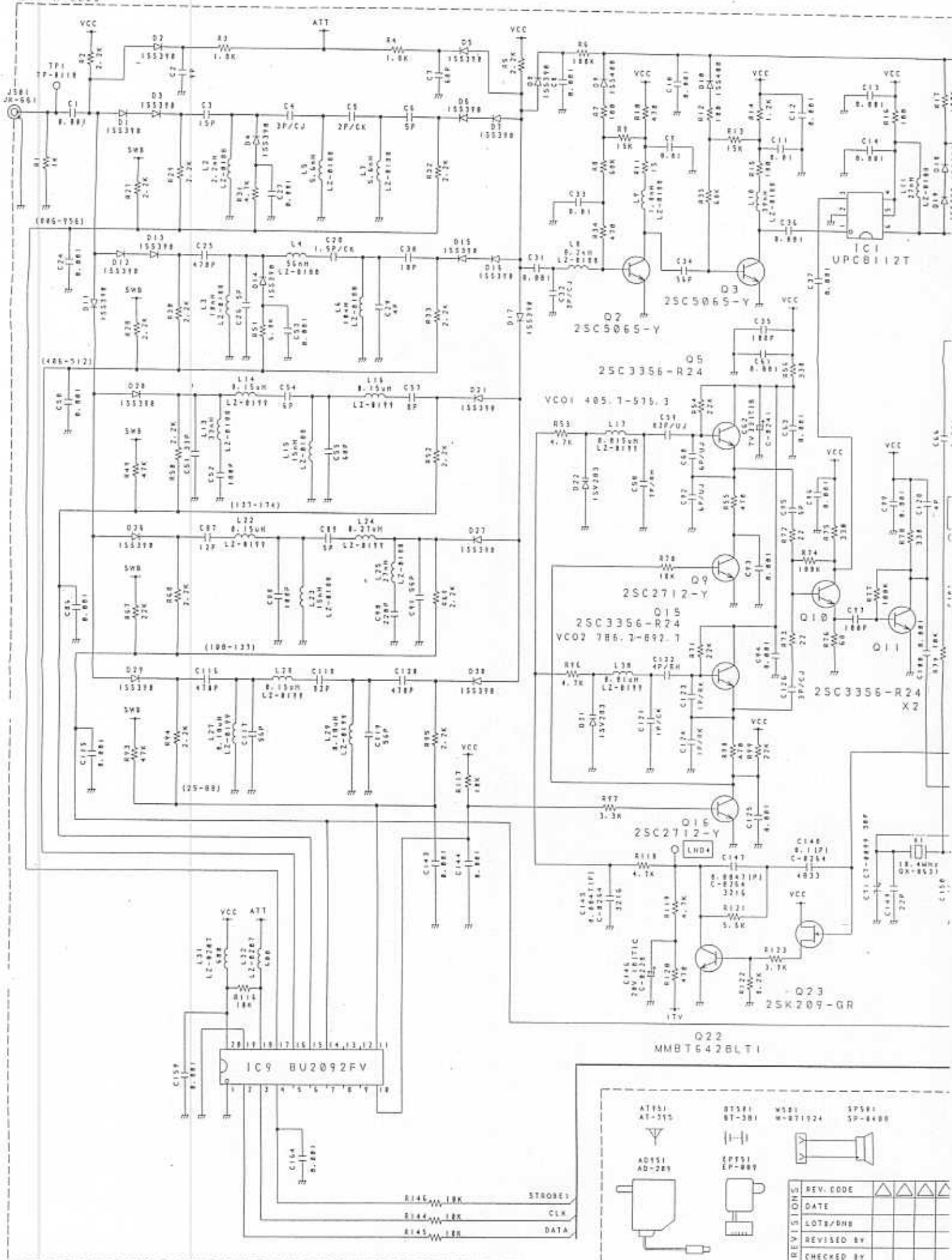


- NOTES:
1. RESISTANCE VALUES ARE SHOWN IN OHMS UNLESS OTHERWISE NOTED. (K=KILO OHM, M=MEG OHM)
 2. RESISTOR WATTAGES ARE (1/16W) UNLESS OTHERWISE NOTED.
 3. CAPACITANCE VALUES ARE INDICATED IN MICRO FARADS UNLESS OTHERWISE NOTED. (P=MICRO-MICRO FARAD)
 4. ALL CAPACITORS TEMPERATURE CHARACTERISTICS ARE [CH] (LESS THAN 1000PF) OR [B] (MORE THAN 1000PF) UNLESS OTHERWISE NOTED.
 5. CHIP CAPACITORS TYPE ARE [1000] 50V UNLESS OTHERWISE NOTED.
 6. RESISTOR TOLERANCES ARE J UNLESS OTHERWISE NOTED.

DESIGN	DRAWN BY	UNIDEN NO.	MODEL NO.
"01. 5. 23	"01. 9. 24	UB-303AL	UBC280XLT
Y. HOSHI	Y. HOSHI	TITLE KEY ASS'Y SCHEMATIC DIAGRAM	
CHECK BY	APPROV BY	DRAWING NO. E12-6756	
REV. NO.	UNIDEN CORP.		

UNIDEN CORP.

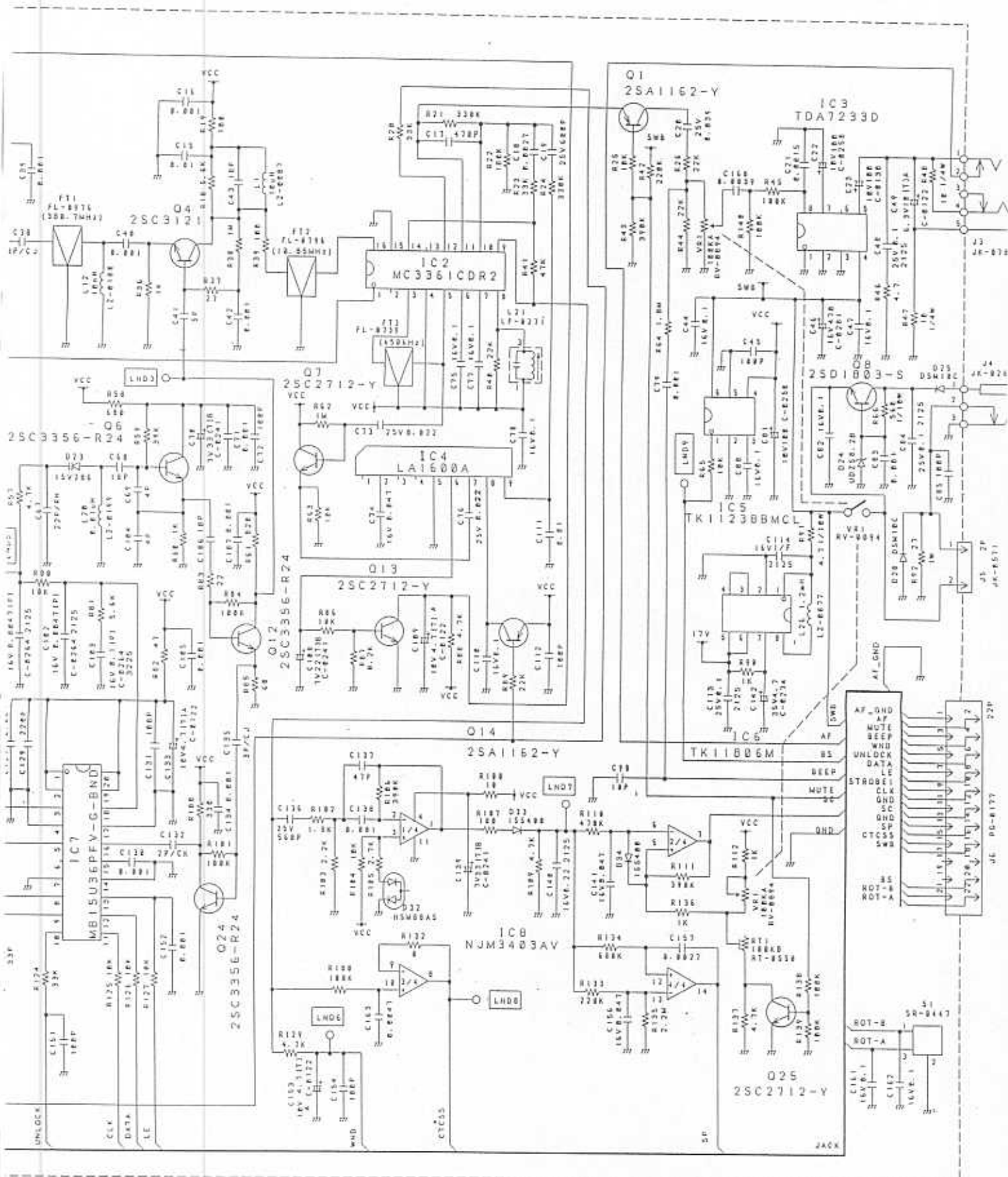


Q22
MMBT642BLT1

AT551 AT-315	BT581 BT-381	WS81 W-811924	SP581 SP-8488
AD551 AD-281	EP551 EP-889		

REV. CODE	▲	▲	▲
DATE			
LOTS/PHS			
REVISED BY			
CHECKED BY			

B/N 930780 (1) Main PCB
2424



- NOTES:
1. RESISTANCE VALUES ARE SHOWN IN OHMS UNLESS OTHERWISE NOTED. (K-KILO OHM, M-MEG OHM)
 2. RESISTOR WATTAGES ARE (1/16W) UNLESS OTHERWISE NOTED.
 3. CAPACITANCE VALUES ARE INDICATED IN MICRO FARADS UNLESS OTHERWISE NOTED. (P-MICRO-MICRO FARAD)
 4. ALL CAPACITORS TEMPERATURE CHARACTERISTICS ARE [CH] (LESS THAN 100PPF) OR [B] (MORE THAN 100PPF) UNLESS OTHERWISE NOTED.
 5. CAPACITOR TYPE ARE [1500] 50V UNLESS OTHERWISE NOTED.
 6. RESISTOR TOLERANCES ARE J UNLESS OTHERWISE NOTED.

P/N 930280 (2)

UBC280X-7
MAIN PCB

DESIGN	DRAWN BY	UNIDEN NO.	MODEL NO.
BT. 5. 23	BT. 1. 28	UB-303AL	UBC280XLT
Y. HOSHI	Y. HOSHI	FIELD MAIN ASS'Y SCHEMATIC DIAGRAM	
CHECK BY	APPROV BY	DRAWING NO.	
<i>[Signature]</i>	<i>[Signature]</i>	E12-6755	
REV. #1		UNIDEN CORP.	

UNIDEN CORP.