

SD 1300 U/N

Features:

- # Base station antenna, Omnidirectional
- # Unity-gain
- # Extremely wide-band suitable for scanner use
- # Transmission capability in several Ham bands
- # Perfect protection against the worst weather conditions
- # Stainless steel hardware and radials
- # Equipped with anodized aluminium bracket for an easy side mast installation
- # 17/7 PH stainless steel cylindrical whip

Specifications

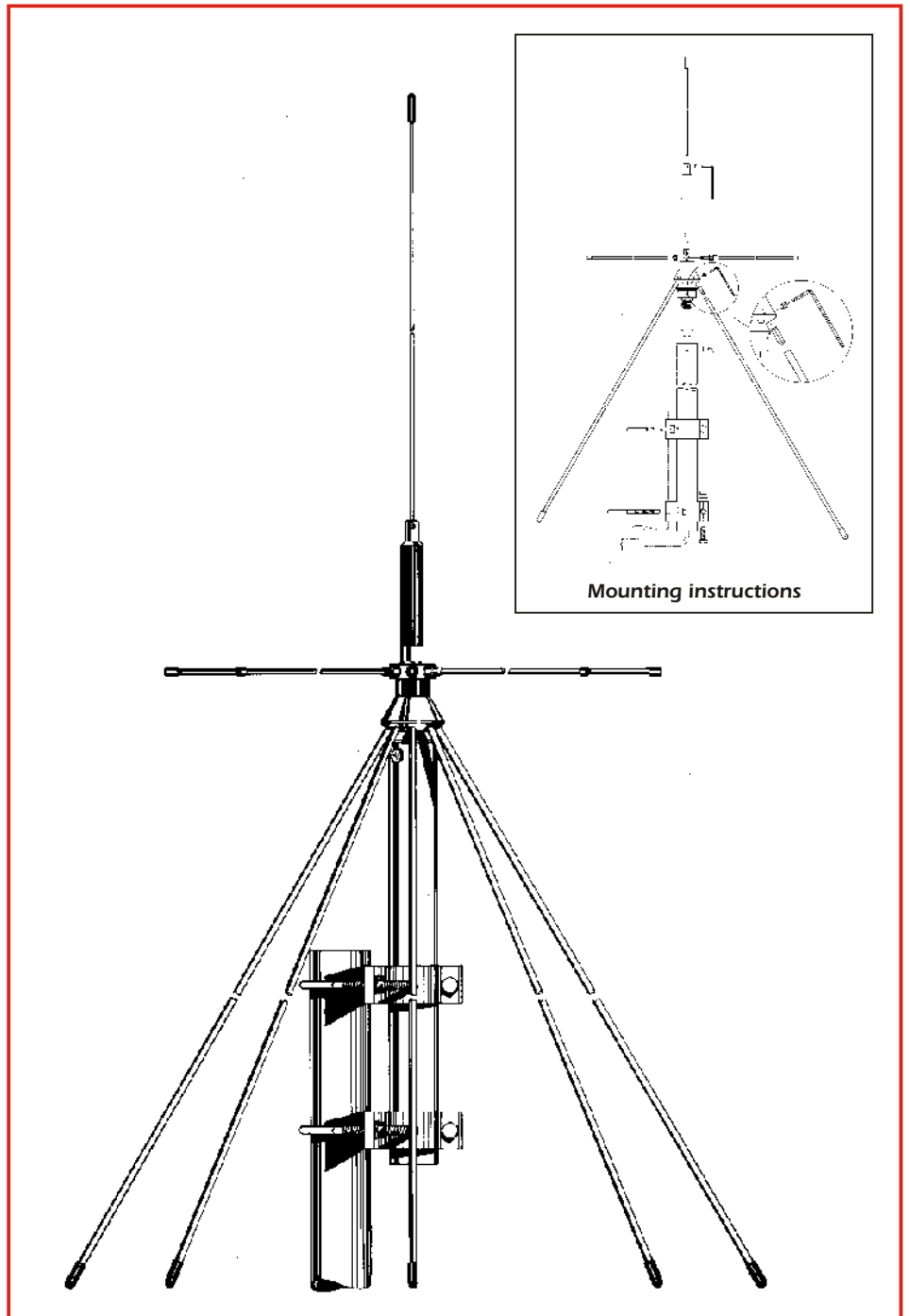
Electrical Data

Type Discone
 Frequency Range
 RX band 25-1300 MHz
 TX band (at V.S.W.R. 2:1) 49.5-50.5, 120-180 .. 215-300, 415-465, 610-650, 710-1000, 1130-1300 MHz
 Impedance 50 Unbalanced
 Radiation (H-plane) 360° Omnidirectional
 Radiation (E-plane) .. Frequency dependent, see the pattern
 Radiation angle deg. . Frequency dependent, see the pattern
 Polarization Vertical
 Gain 0 dBd - 2.15 dBi at lowest frequency
 Bandwidth at V.S.W.R. 2:1 See the measure
 V.S.W.R. at res. freq. See the measure
 Max Power VHF 300 Watts, UHF 200 Watts
 Feed System / Position Direct / Center
 Connection
 SD 1300 U UHF-Female
 SD 1300 N N-Female

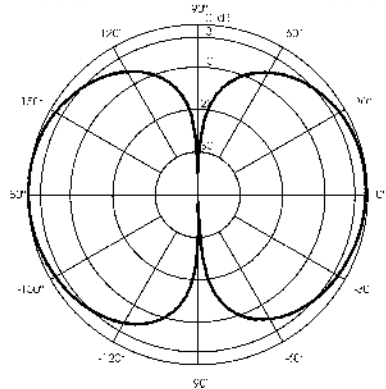
Mechanical Data

Materials Stainless Steel, Chromed Brass, Nylon
 Wind Load / Resistance 66 N at 150 Km/h / 130 Km/h
 Wind Surface 0.06 m²
 Height (approx.) 1600 mm
 Weight (approx.) 1140 gr
 Cone Radial length 810 mm
 Mounting Mast 25-54 mm

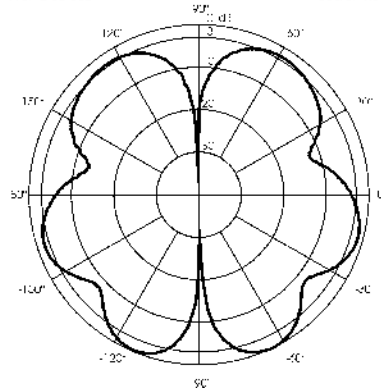
code 2105405.00 SD 1300 U
code 2105505.00 SD 1300 N



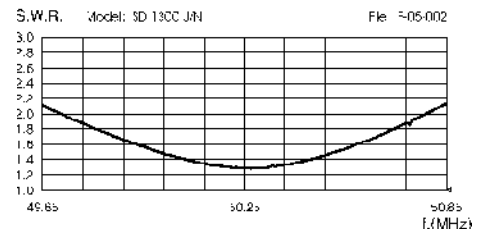
TYPICAL RADIATION PATTERN in E-plane at 145 MHz
 File: E 05 002 Search: near



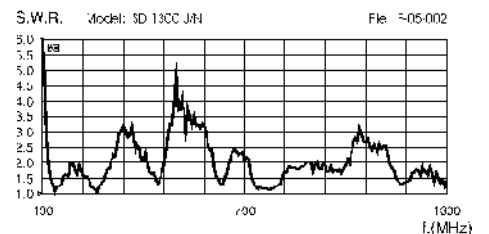
TYPICAL RADIATION PATTERN in E-plane at 437 MHz
 File: E 05 002 Search: near



TYPICAL S.W.R. RESPONSE



TYPICAL S.W.R. RESPONSE



SD 2000 U/N

Features:

- # Base station antenna, Omnidirectional
- # Unity-gain
- # Extremely wide-band suitable for scanner use
- # Transmission capability in several Ham bands
- # Perfect protection against the worst weather conditions
- # Stainless steel hardware and radials
- # Equipped with anodized aluminium bracket for an easy side mast installation
- # 17/7 PH stainless steel spring whip

Specifications

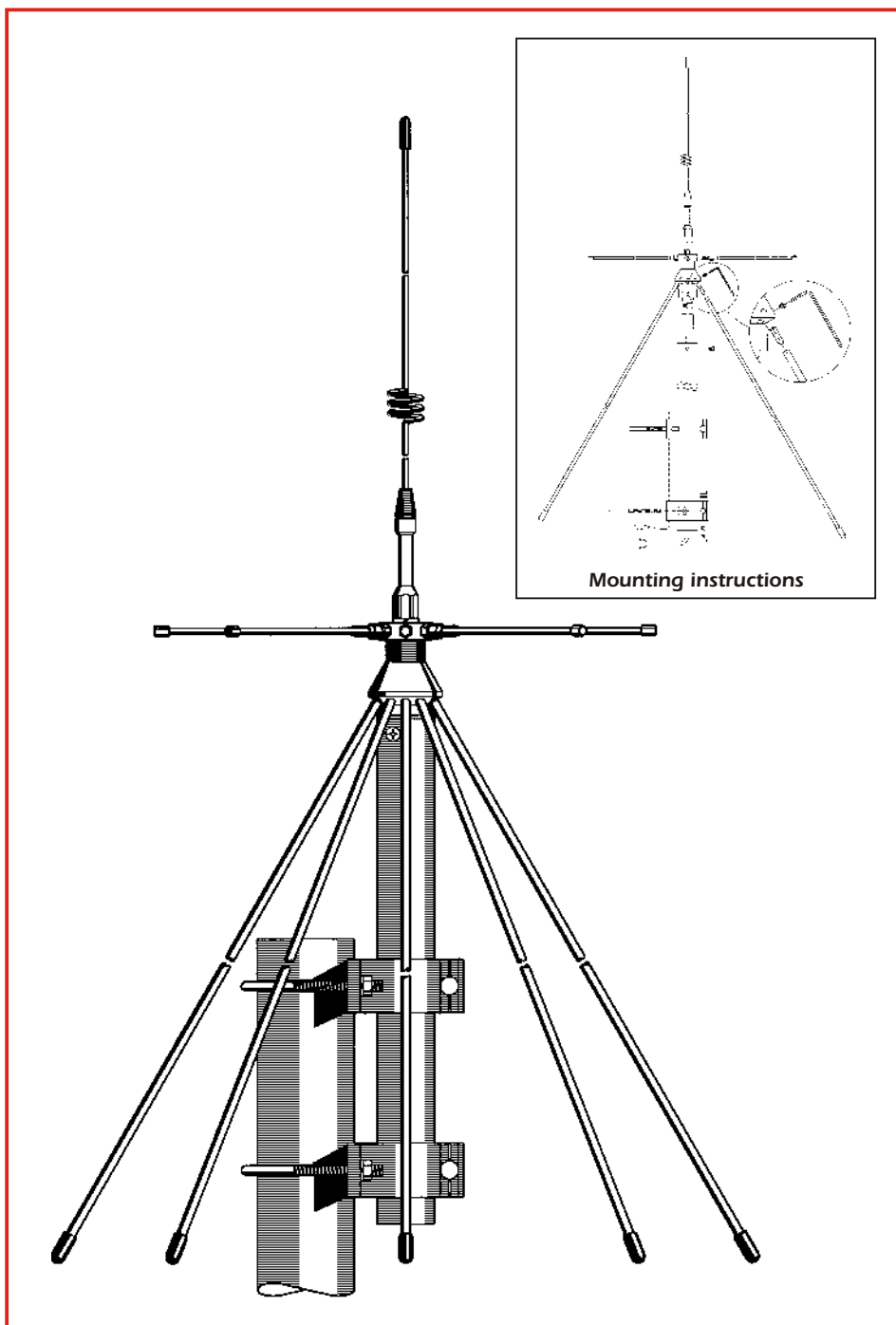
Electrical Data

Type Discone
 Frequency Range
 RX band 100-2000 MHz
 TX band (at V.S.W.R. 2:1) .. 130-160, 215-440, 610-685
 870-960, 1070-1500, 1620-1800, 1860-2000 MHz
 Impedance 50 Unbalanced
 Radiation (H-plane) 360° Omnidirectional
 Radiation (E-plane) .. Frequency dependent, see the pattern
 Radiation angle deg. . Frequency dependent, see the pattern
 Polarization Vertical
 Gain 0 dBd - 2.15 dBi at lowest frequency
 Bandwidth at V.S.W.R. 2:1 See the measure
 V.S.W.R. at res. freq. See the measure
 Max Power 200 Watts
 Feed System / Position Direct / Center
 Connection
 SD 2000 U UHF-Female
 SD 2000 N N-Female

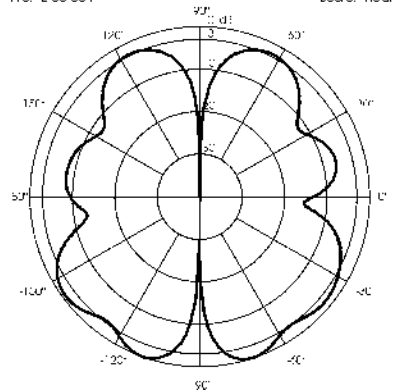
Mechanical Data

Materials Stainless Steel, Chromed Brass, Nylon
 Wind Load / Resistance 44 N at 150 Km/h / 150 Km/h
 Wind Surface 0.04 m²
 Height (approx.) 900 mm
 Weight (approx.) 1020 gr
 Cone Radial length 550 mm
 Mounting Mast 25-54 mm

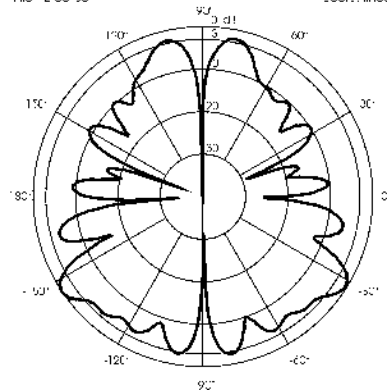
code 2109005.00 SD 2000 U
code 2109105.00 SD 2000 N



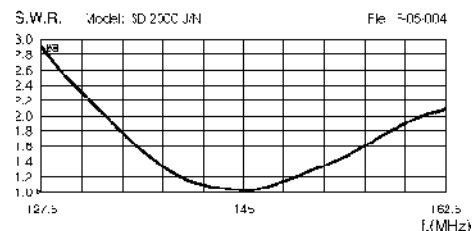
TYPICAL RADIATION PATTERN in E-plane at 915 MHz
 File: E 05 004 Scale: near



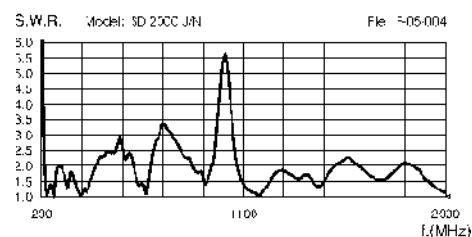
TYPICAL RADIATION PATTERN in E-plane at 1800 MHz
 File: E 05 007 Scale: linear



TYPICAL S.W.R. RESPONSE



TYPICAL S.W.R. RESPONSE



SD 3000 U/N

Features:

- # Base station antenna, Omnidirectional
- # Unity-gain
- # Extremely wide-band suitable for scanner use
- # Transmission capability in several Ham bands
- # Perfect protection against the worst weather conditions
- # Stainless steel hardware and radials
- # Equipped with anodized aluminium bracket for an easy side mast installation
- # 17/7 PH stainless steel spring whip

Specifications

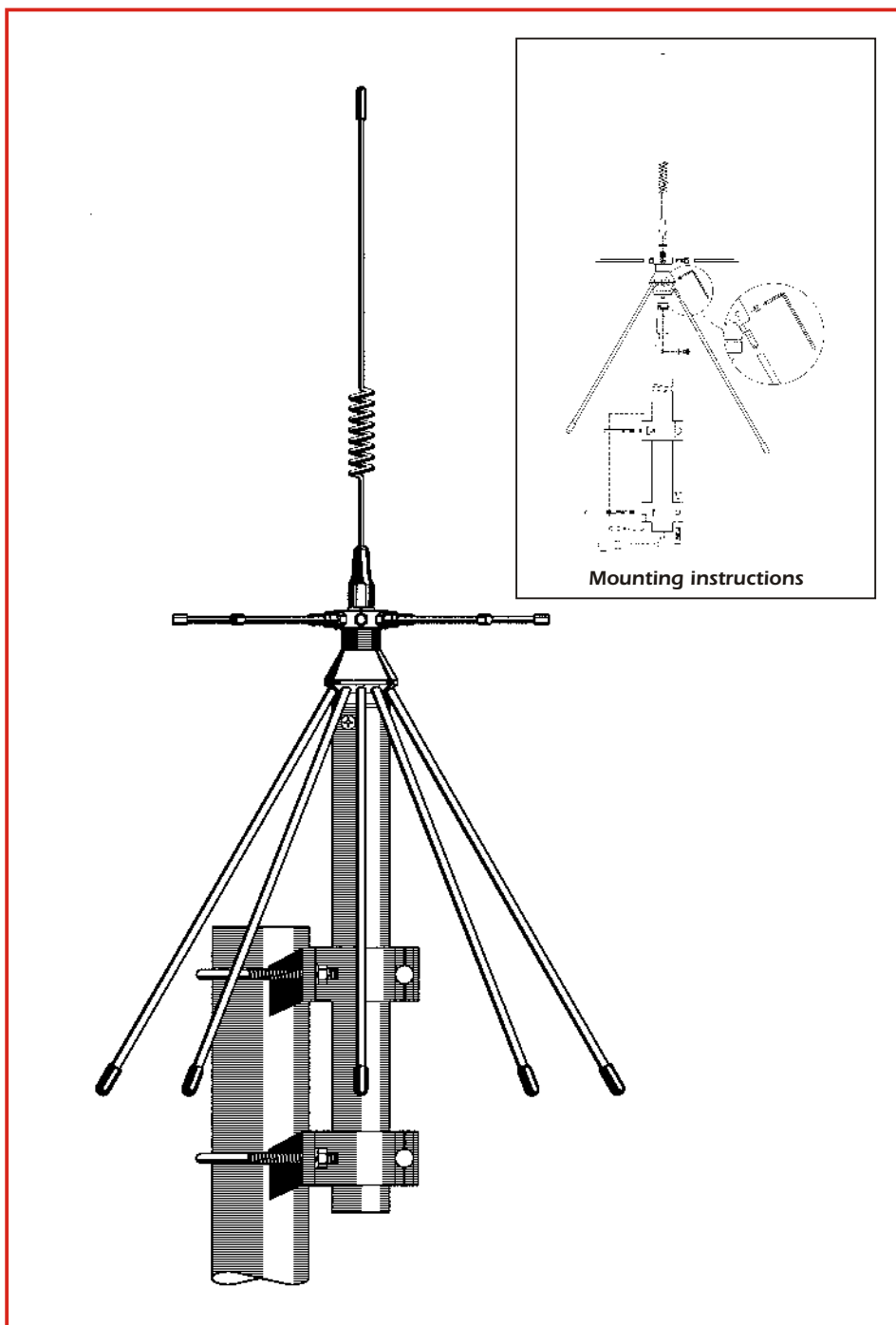
Electrical Data

Type Discone
 Frequency Range
 RX band 300-3000 MHz
 TX band (at V.S.W.R. 2:1) 340-535, 545-960
 1180-1380, 1660-1910, 1980-3000 MHz
 Impedance 50 Unbalanced
 Radiation (H-plane) 360° Omnidirectional
 Radiation (E-plane) .. Frequency dependent, see the pattern
 Radiation angle deg. . Frequency dependent, see the pattern
 Polarization Vertical
 Gain 0 dBd - 2.15 dBi
 Bandwidth at V.S.W.R. 2:1 See the measure
 V.S.W.R. at res. freq. See the measure
 Max Power 200 Watts
 Feed System / Position Direct / Center
 Connection
 SD 3000 U UHF-Female
 SD 3000 N N-Female

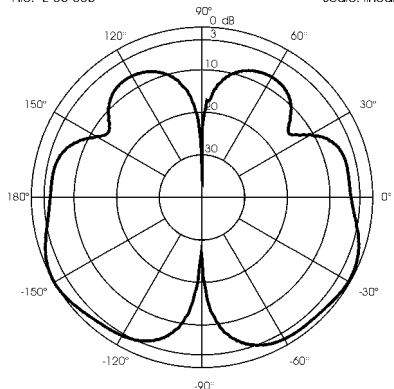
Mechanical Data

Materials Stainless Steel, Chromed Brass, Nylon
 Wind Load / Resistance 32 N at 150 Km/h / 150 Km/h
 Wind Surface 0.03 m²
 Height (approx.) 725 mm
 Weight (approx.) 830 gr
 Cone Radial length 270 mm
 Mounting Mast 25-54 mm

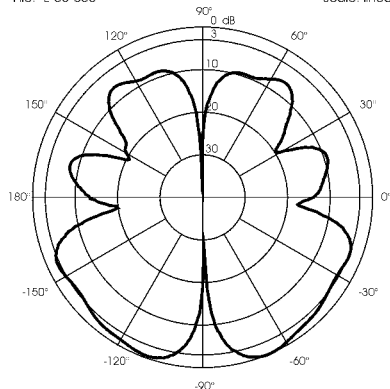
code 2109205.00 SD 3000 U
code 2109305.00 SD 3000 N



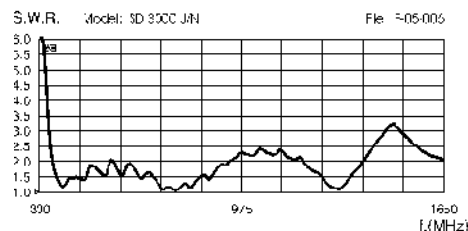
TYPICAL RADIATION PATTERN in E-plane at 915 MHz
 File: E-05-006 Scale: linear



TYPICAL RADIATION PATTERN in E-plane at 1800 MHz
 File: E-05-006 Scale: linear



TYPICAL S.W.R. RESPONSE



TYPICAL S.W.R. RESPONSE

