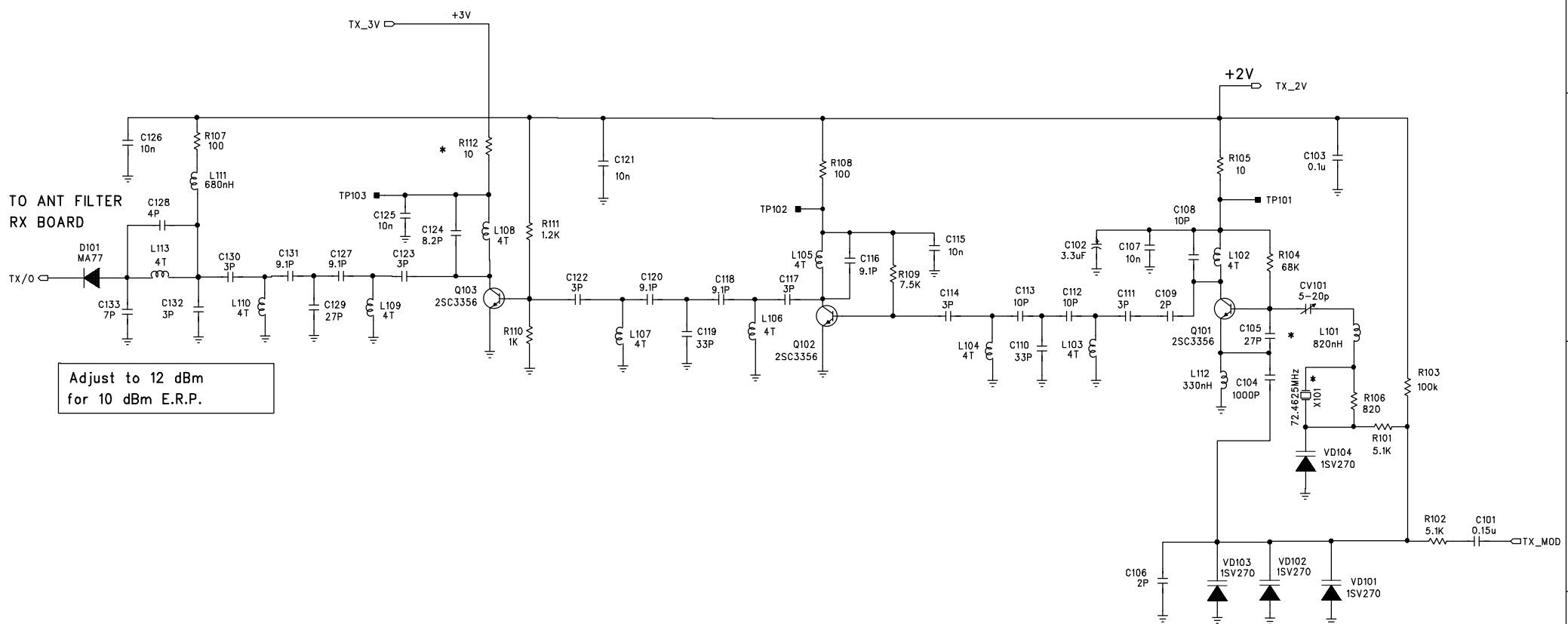


REVISION RECORD			
LTR	ECO NO:		
	DATE:		
	APPROVED:		



Adjust to 12 dBm  
for 10 dBm E.R.P.

\* FACTORY ALIGNMENT VALUE

ALBRECHT ELECTRONIC GMBH			
TITLE: LPD "FROGGY"			
TRANSMITTER BOARD			
CODE:	DRAWING NO:	REV:	
H244	FR-TX-0.SCH	A	
SHEET: 1 OF 1			

DRAWN BY:	DATED:
A.LAM	19/7/98
APPROVED BY:	DATED:
W.SCH	4/8/98