

REVISION RECORD			
LTR	ECO NO:	APPROVED	DATE:

D

C

B

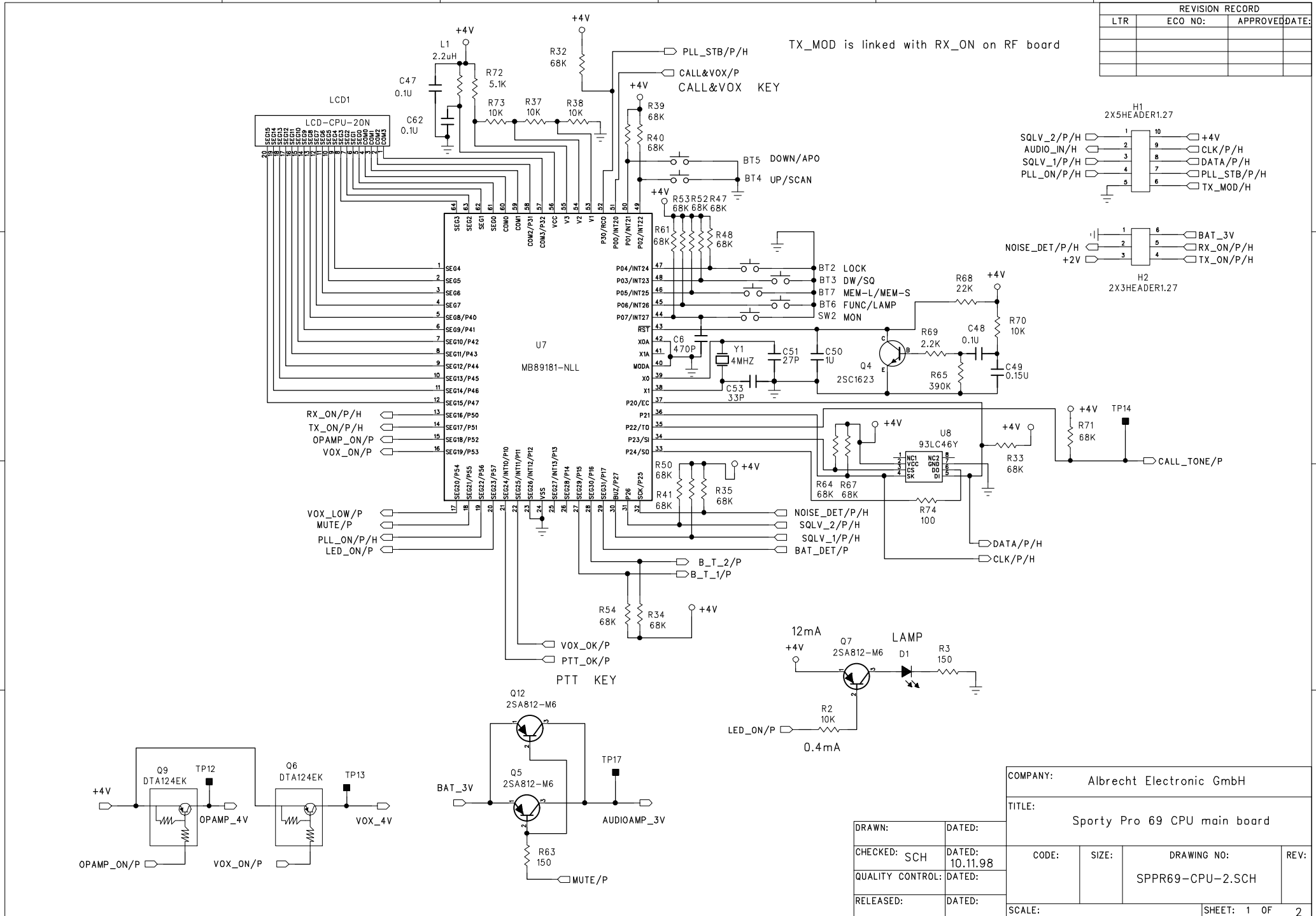
A

D

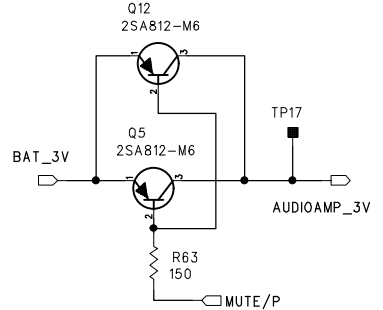
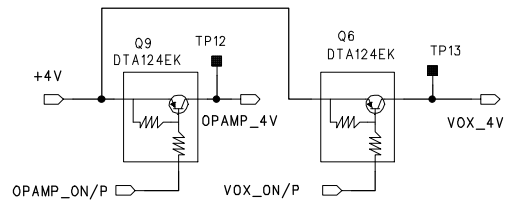
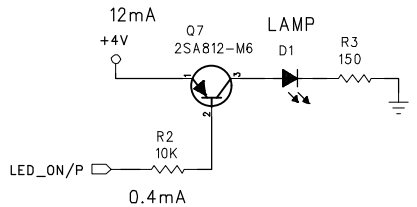
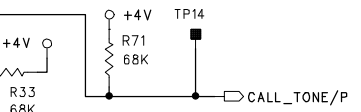
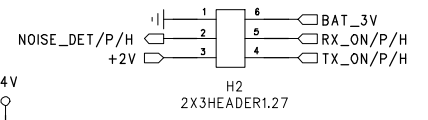
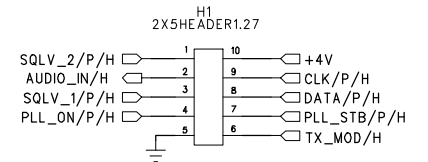
C

B

A



TX_MOD is linked with RX_ON on RF board



COMPANY: Albrecht Electronic GmbH			
TITLE: Sporty Pro 69 CPU main board			
DRAWN:	DATED:	CODE:	SIZE:
CHECKED: SCH	DATED: 10.11.98	DRAWING NO:	
QUALITY CONTROL:	DATED:	SPPR69-CPU-2.SCH	
RELEASED:	DATED:	SCALE:	
SHEET: 1 OF			2