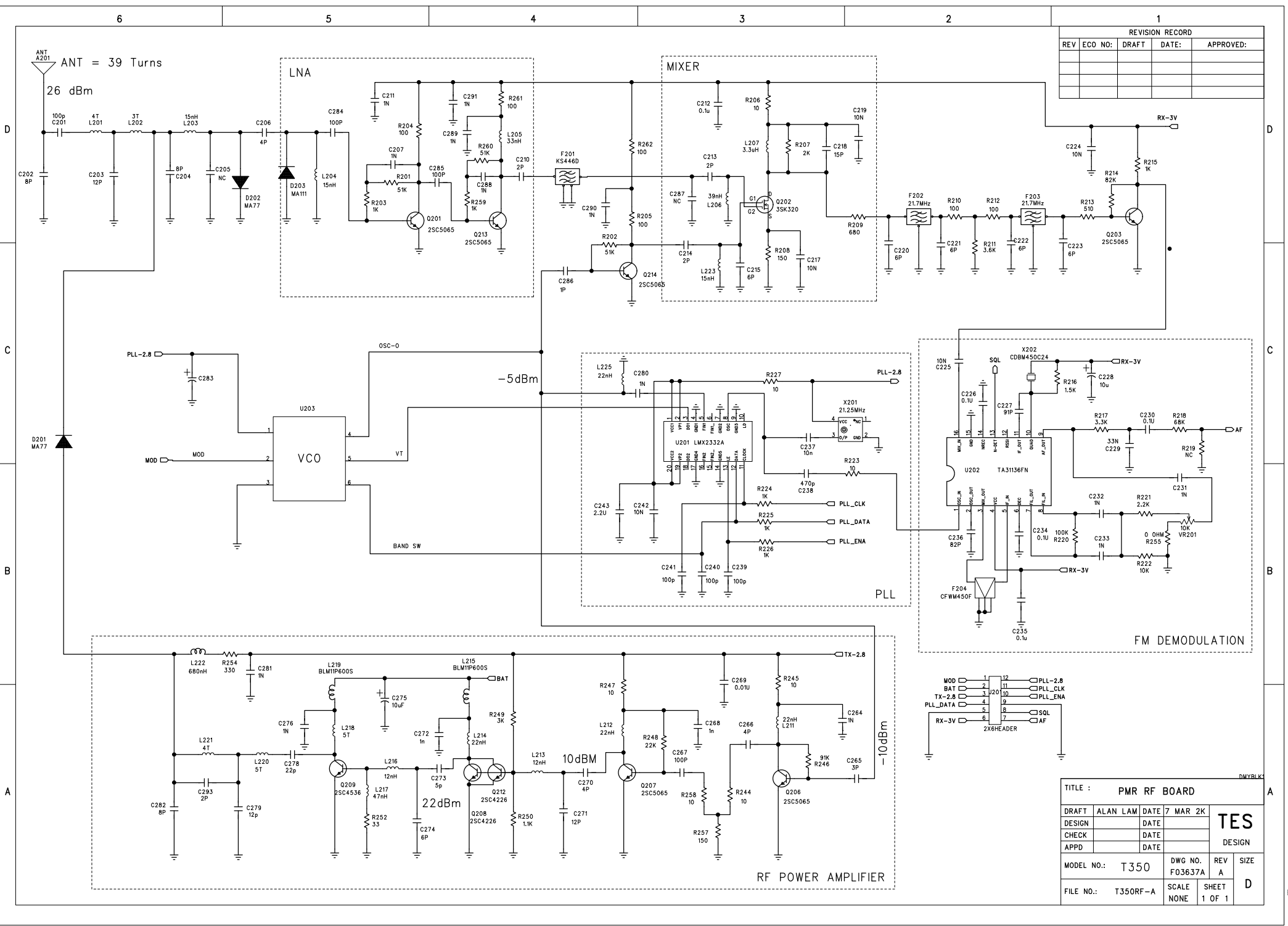


REVISION RECORD				
REV	ECO NO:	DRAFT	DATE:	APPROVED:



TITLE : PMR RF BOARD				
DRAFT	ALAN LAM	DATE	7 MAR 2K	TES DESIGN
DESIGN		DATE		
CHECK		DATE		
APPD		DATE		
MODEL NO.:	T350	DWG NO.	F03637A	REV A
FILE NO.:	T350RF-A	SCALE	NONE	SHEET 1 OF 1

