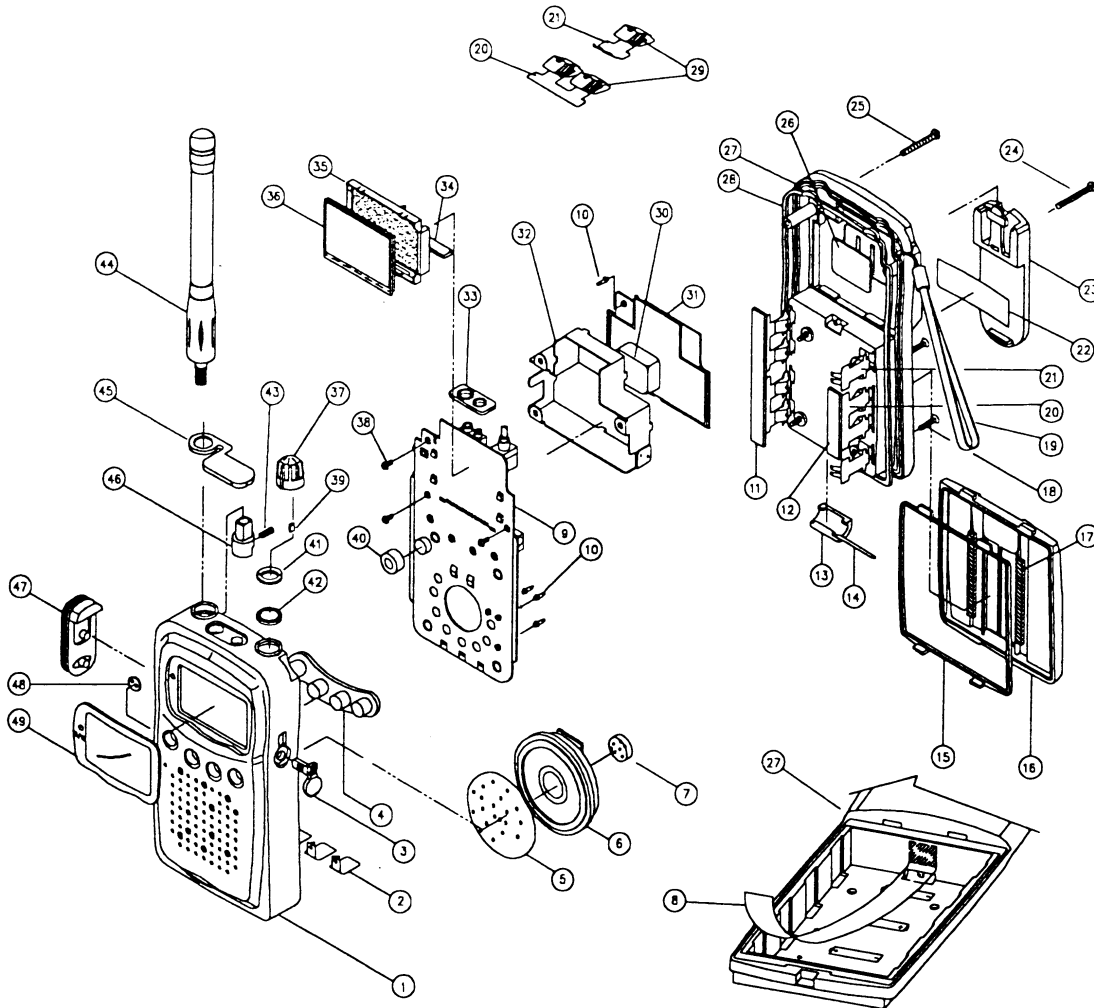


9 EXPLODED PARTS VIEW



49	6505-33094-001	WINDOW	3K-3094	1	
48	7509-42857-001	FILTER,MIC CON	4K-2857	1	
47	6308-33097-001	BUTTON,PTT	3K-3097	1	
46	6205-42867-001	CONTACT,ANT	4K-2867	1	
45	5000-33093-001	CAP,MIC EAR	3K-3093	1	
44		ANT		1	
43	8500-53003-002	SCREW,SET	M3x3L(STS)	1	
42	7408-42833-001	PACKING,VOL	4K-2833	1	
41	8503-42855-201	NUT,VOL	4K-2855	1	
40	8108-42832-001	BUSHING,MIC	4K-2832	1	
39	7201-42197-001	SPRING,KNOB	4K-2197,LECTRA	1	
38	8500-P2004-001	M/C, SCREW	PH,M2.0,4L,NI	3	
37	6300-33091-001	KNOB,VOL	3K-3091	1	
36		LCD		1	
35	5000-33090-001	HOUSING ASS'Y,LCD	3K-3090	1	
34		CONNECTOR,RUBBER		1	
33	7408-42834-001	PACKING,MIC EAR	4K-2834	1	
32	5401-33095-001	FRAME,SHIELD	3K-3095	1	
31		RF B/D		1	
30	8901-42835-001	CAN,VCO	4K-2835	1	
29	7809-45027001	CUSHION,BATT	4K-5027	4	
28	7408-33112-001	PACKING,BACK	3K-3112	1	
27	5000-22621-501	CASE,BACK EMI	CASE,BACK EMI	1	
	5000-22621-001	CASE,BACK	2K-2621	1	
26	6208-42858-001	PLATE,RUBBER *C*	4K-2858	1	
25	8501-P2818-001	T/P, SCREW	PH,#2.6,1BL,2?, BLK	1	
24	8500-P2818-002	M/C, SCREW	PH,M2.6,1BL,BLK	1	
23	8500-33089-001	CLIP,BELT	3K-3089	1	
22		LABEL,SPEC		1	
21	6201-42827-001	BATT TERMINAL *B*	4K-2827	3	
20	6201-42826-001	BATT TERMINAL *A*	4K-2826	2	
19	RA000600	HAND STRAP	4K-2456	1	OPTION
18	8501-C2608-001	T/P SCREW	CS #2.6,BL,BLK,2?	4	
17	780942868001	SPONGE,BATT COVER	4K-2868	2	
16	5002-33088-001	COVER,BATT	3K-3088	1	
15	7408-33098-001	PACKING,BATT	3K-3098	1	
14	7005-42854-001	PIN,LOCKER	4K-2854, STS	1	
13	7100-33092-001	LOCKER	3K-3092	1	
12	6208-42853-001	PLATE,RUBBER *B*	4K-2853	1	
11	6208-42852-001	PLATE,RUBBER *A*	4K-2852	1	
10	7205-42851-001	CONNECTOR PIN,SPRING	4K-2851	4	
9		CON B/D		1	
8	7809-42866-001	TAPE,RIBBON	4K-2866	1	
7	7809-42850-001	CUSHION,SPEAKER	4K-2850	1	
6		SPEAKER		1	
5	7509-42849-001	FILTER,SPEAKER	4K-2849	1	
4	6308-33096-001	KEY PAD	3K-3096	1	
3	5000-42825-001	COVER,DC JACK	4K-2825	1	
2	6201-42830-001	PLATE,TERMINAL	4K-2830	3	
	5000-22620-S02	CASE,FRONT EMI	CASE,FRONT EMI	1	
	5000-22620-S01	CASE,FRONT *M	CASE,FRONT *M	1	
1	5000-22620-001	CASE,FRONT	2K-2620	1	
NO	PART NO.	DESCRIPTION	SPECIFICATION	Q'TY	REMARK