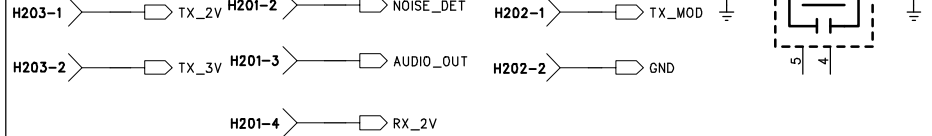
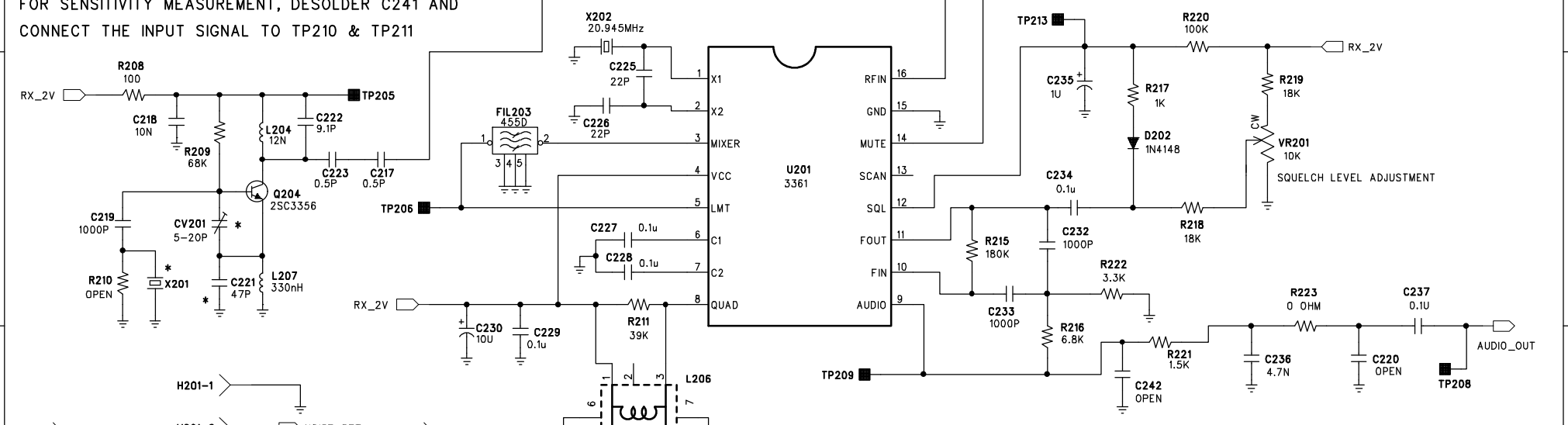


FOR SENSITIVITY MEASUREMENT, DESOLDER C241 AND CONNECT THE INPUT SIGNAL TO TP210 & TP211



DRAWN: A.LAM	DATED: 3/8/98	ALBRECHT ELECTRONIC GMBH		REV: 1.0
CHECKED: W. SCH	DATED: 4/8/98	TITLE: LPD "FROGGY" RECEIVER BOARD		
		CODE: H244	DRAWING NO: FR-RX-0.SCH	
				SHEET: 1 OF 1