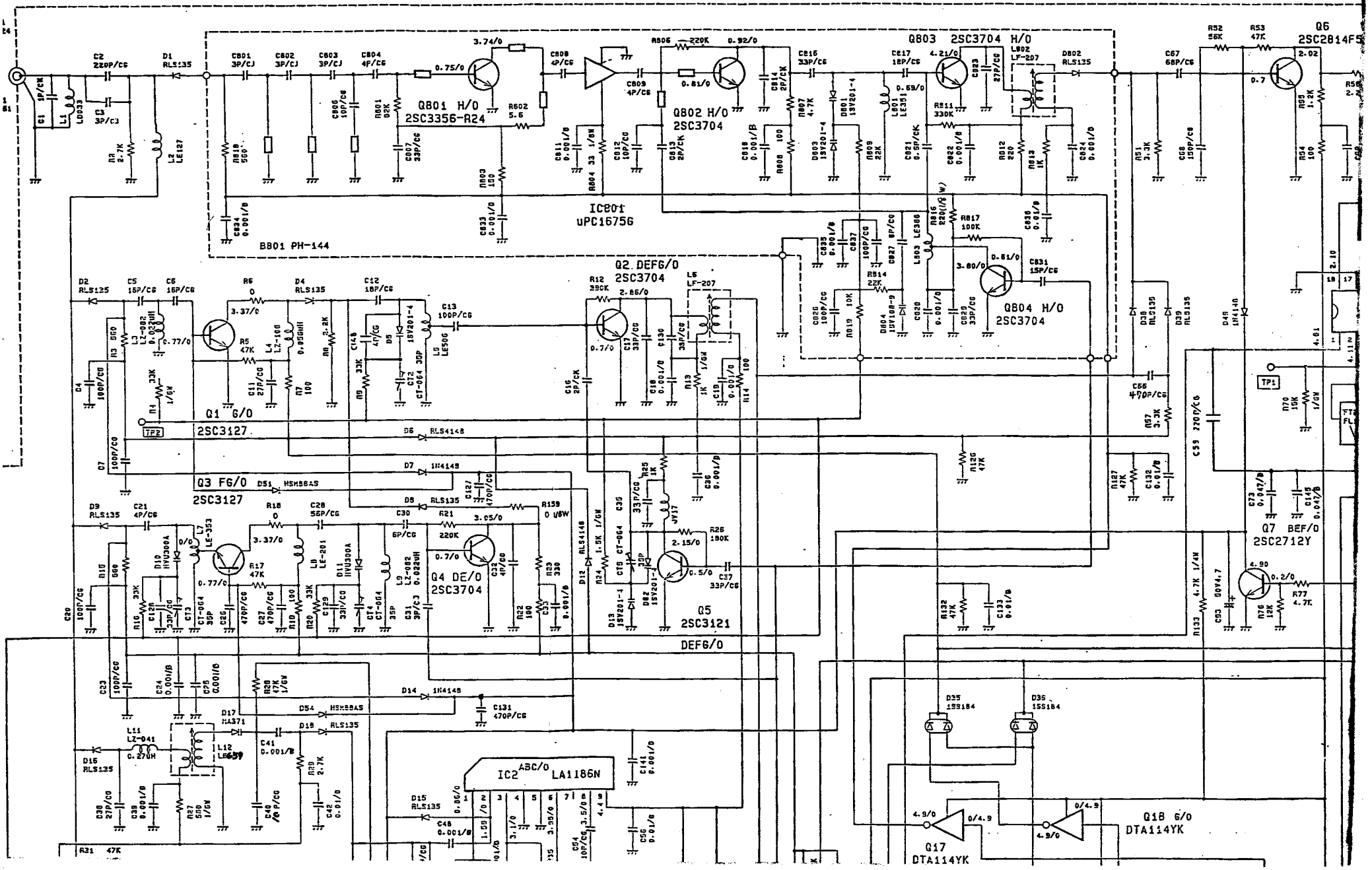
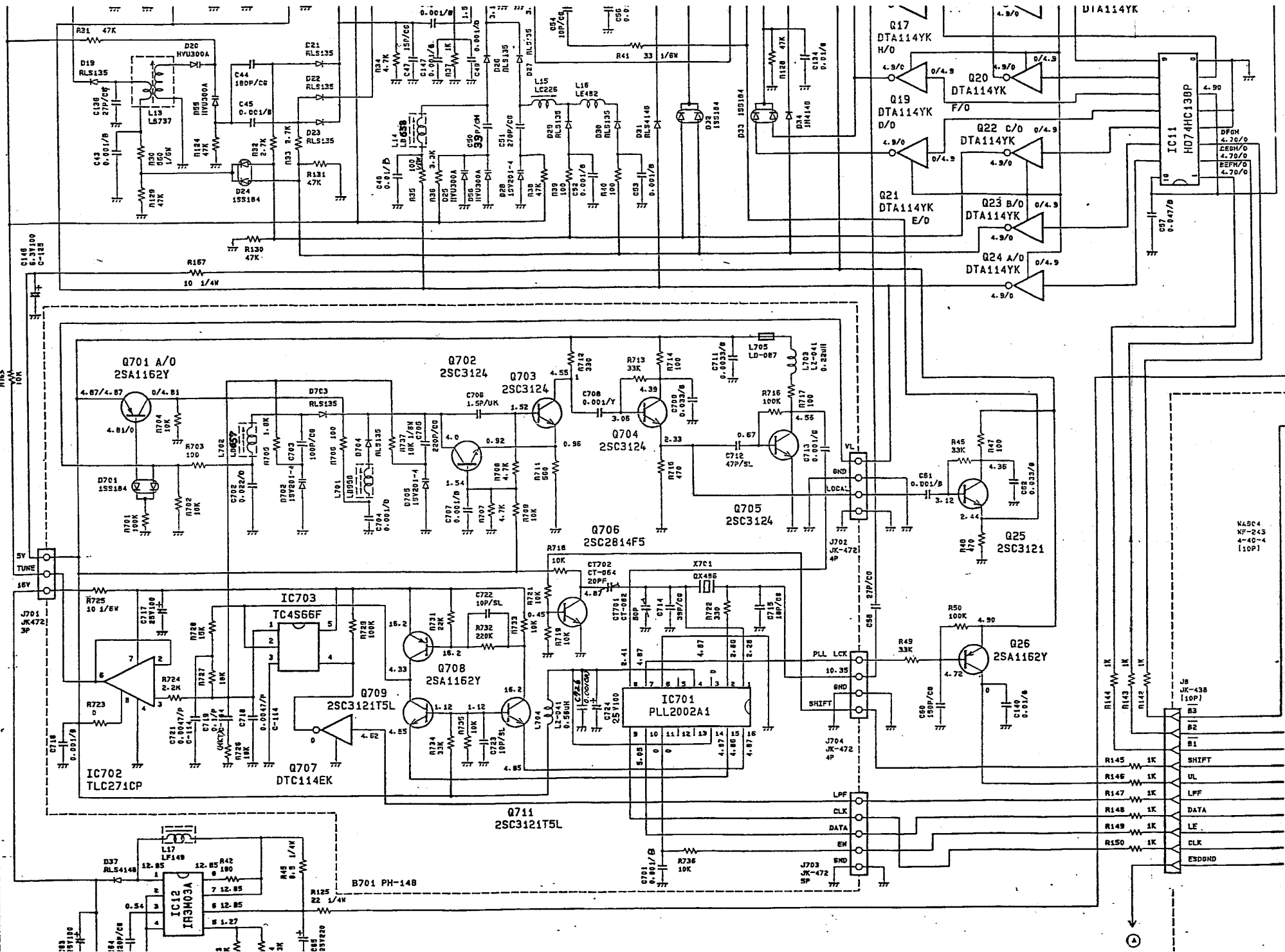


B001 PH-145 1/4 MAIN PCB





N4504
NF-243
4-40-4
[10P]

JB
JK-438
[10P]
B3
B2
B1

R145 1K
R146 1K
R147 1K
R148 1K
R149 1K
R150 1K

PLL LCK
10.35
SHD
SHIFT
DATA
EN
CLK
DATA
EN
SHD

J704
JK-472
4P

J702
JK-472
4P

LOCAL
END

END

END

END

END

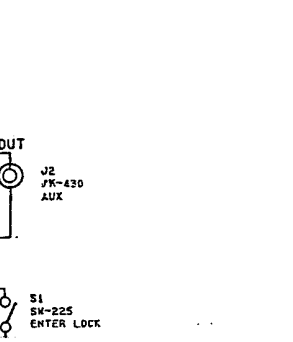
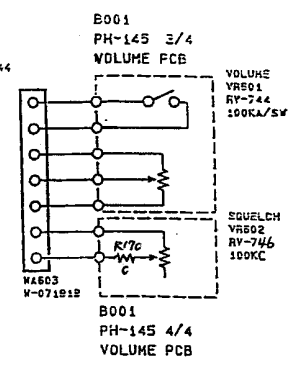
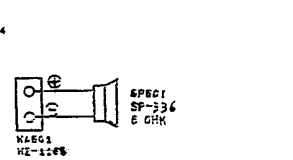
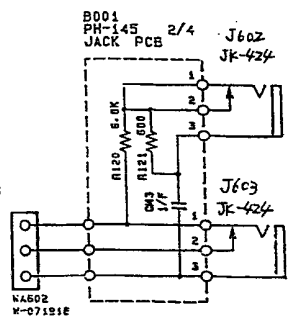
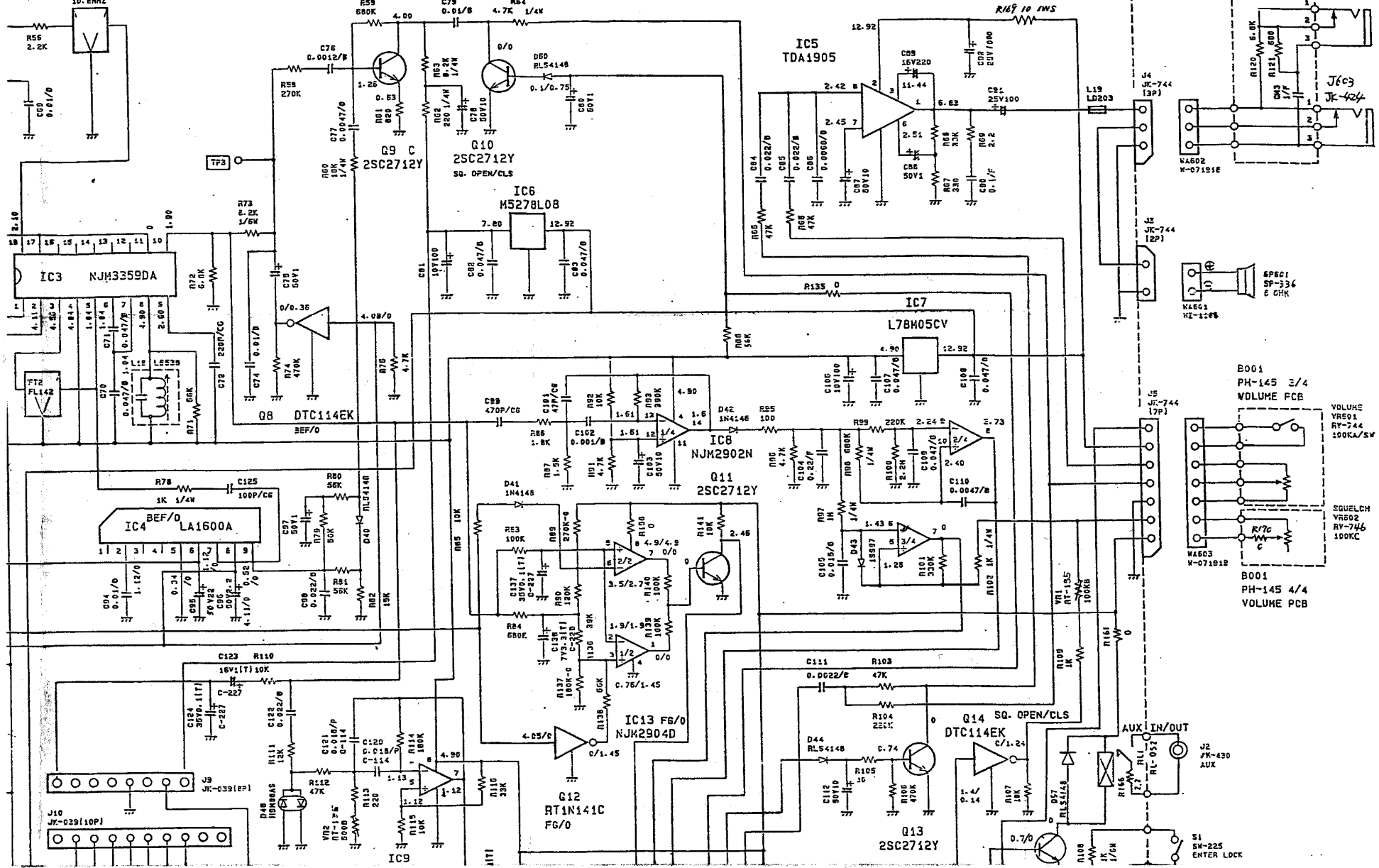
END

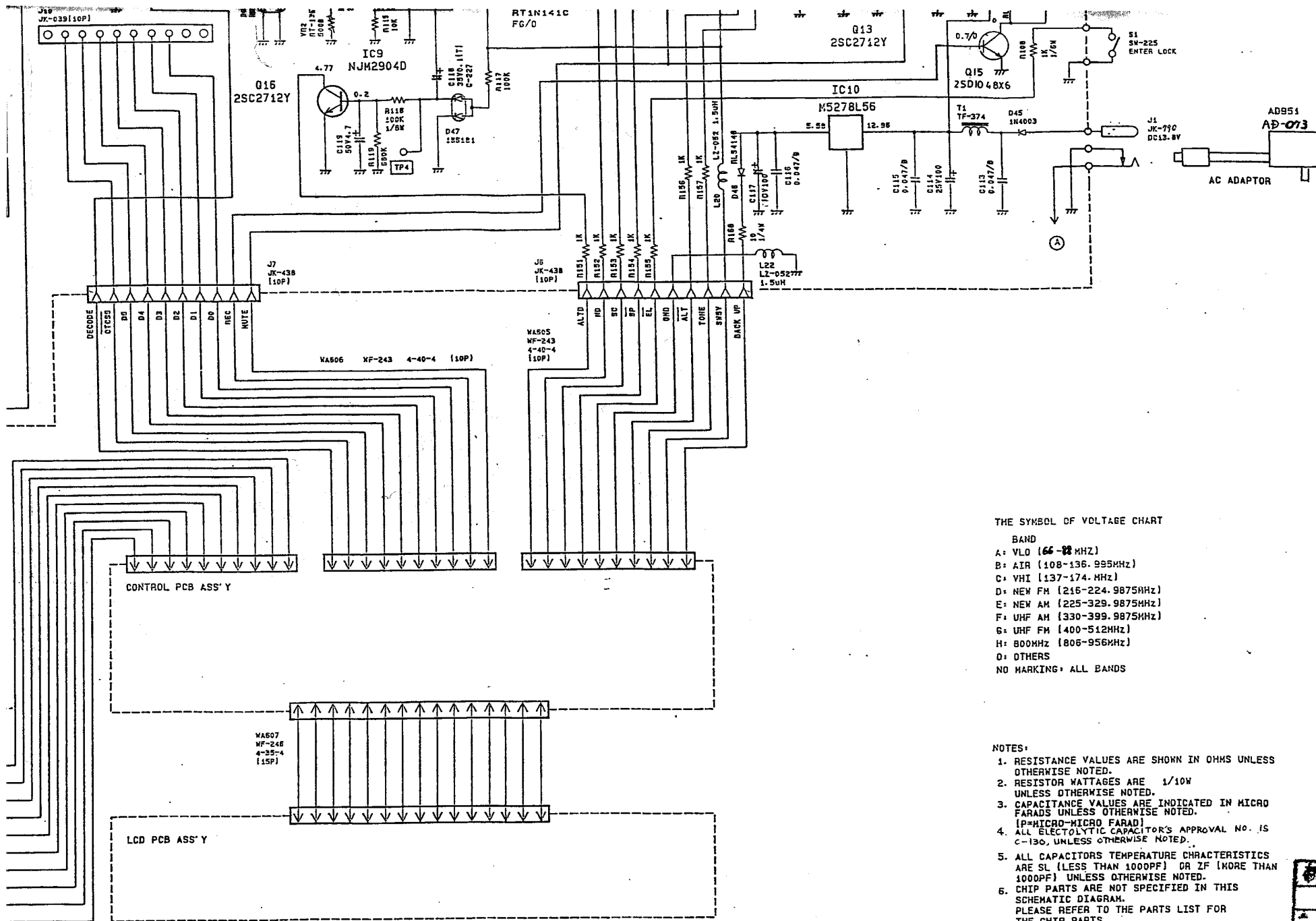
END

END

(A)

814F5



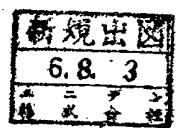


THE SYMBOL OF VOLTAGE CHART

- BAND
- A: VLO (66-88 MHz)
 - B: AIR (108-136.995MHz)
 - C: VHI (137-174. MHz)
 - D: NEW FM (216-224.9875MHz)
 - E: NEW AM (225-329.9875MHz)
 - F: UHF AM (330-399.9875MHz)
 - G: UHF FM (400-512MHz)
 - H: 800MHZ (806-956MHz)
 - O: OTHERS
- NO MARKING: ALL BANDS

NOTES:

1. RESISTANCE VALUES ARE SHOWN IN OHMS UNLESS OTHERWISE NOTED.
2. RESISTOR WATTAGES ARE 1/10W UNLESS OTHERWISE NOTED.
3. CAPACITANCE VALUES ARE INDICATED IN MICRO FARADS UNLESS OTHERWISE NOTED. [P=MICRO-MICRO FARAD]
4. ALL ELECTROLYTIC CAPACITOR'S APPROVAL NO. IS C-130, UNLESS OTHERWISE NOTED.
5. ALL CAPACITORS TEMPERATURE CHARACTERISTICS ARE SL (LESS THAN 1000PF) OR ZF (MORE THAN 1000PF) UNLESS OTHERWISE NOTED.
6. CHIP PARTS ARE NOT SPECIFIED IN THIS SCHEMATIC DIAGRAM. PLEASE REFER TO THE PARTS LIST FOR THE CHIP PARTS.



DESIGN	DRWN. BY	UNIDEN NO.	MODEL NO.
7A7-29	93.03.16	UB-228B	COM215
KUROKI	LORNA	TITLE	SCHEMATIC DIAGRAM