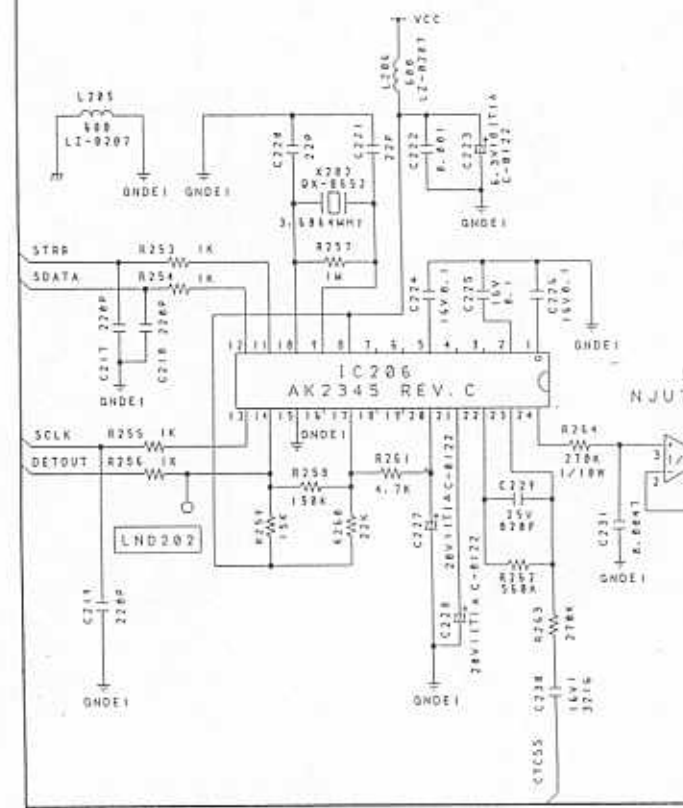
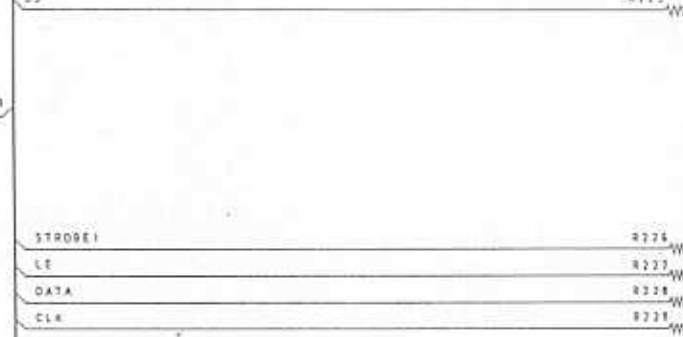
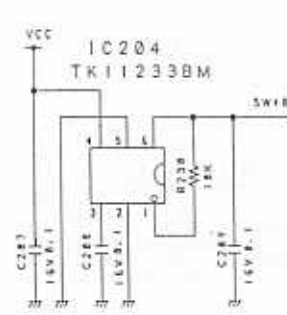
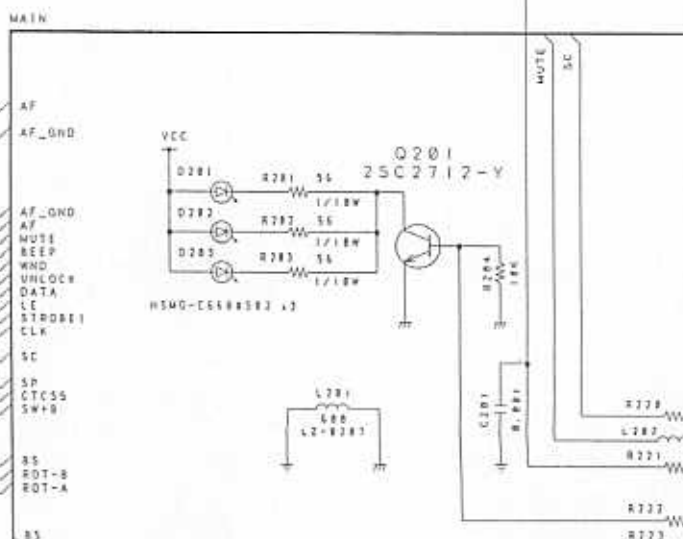
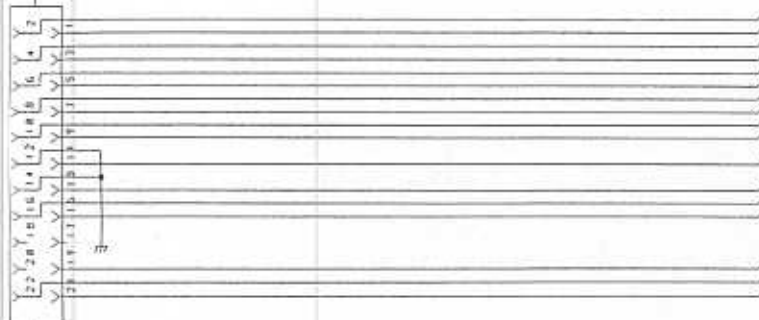
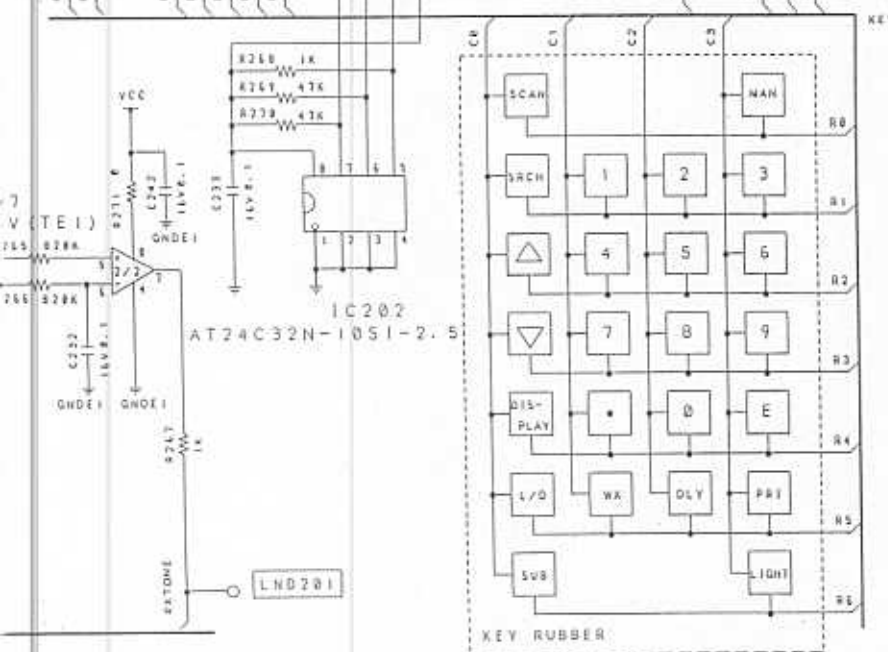
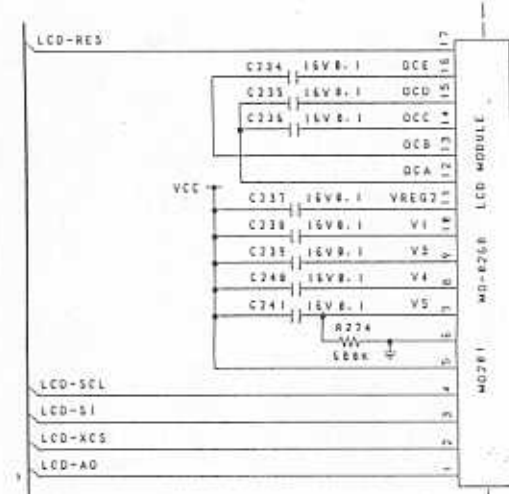
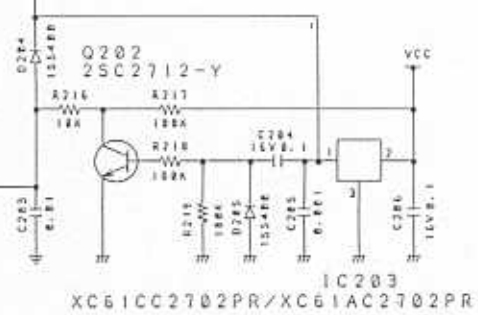
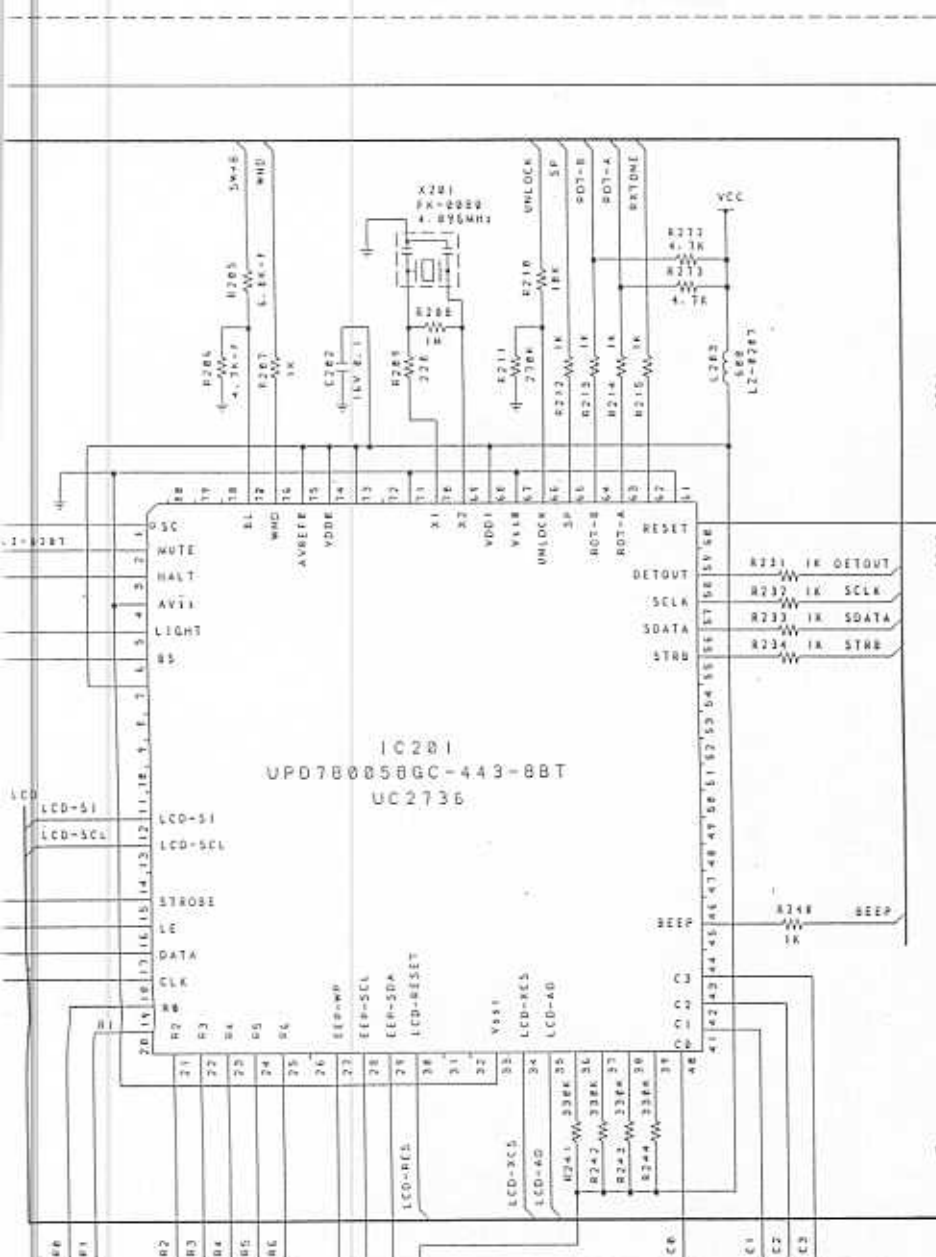


DATE: 04-08-83



REV. CODE	REV. CODE	REV. CODE	REV. CODE	REV. CODE	REV. CODE	REV. CODE	REV. CODE	REV. CODE	REV. CODE	REV. CODE	REV. CODE	REV. CODE	REV. CODE	REV. CODE	REV. CODE	REV. CODE	REV. CODE	REV. CODE	REV. CODE	REV. CODE
DATE																				
LOTS/RNG																				
REVISED BY																				
CHECKED BY																				

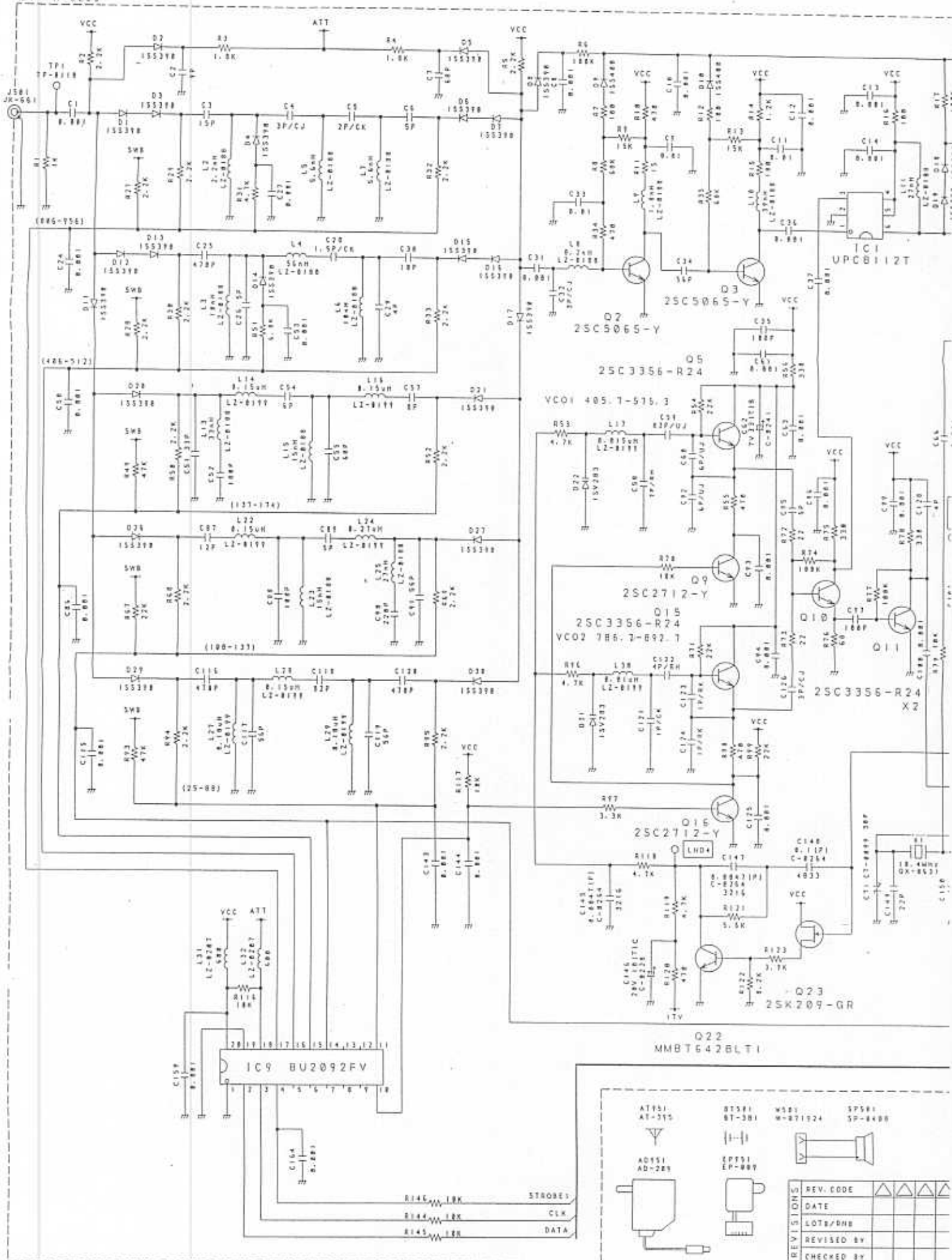
F/N 930 280 (11)
Key PCB



- NOTES:
1. RESISTANCE VALUES ARE SHOWN IN OHMS UNLESS OTHERWISE NOTED. (K=KILO OHM, M=MEG OHM)
 2. RESISTOR WATTAGES ARE (1/16W) UNLESS OTHERWISE NOTED.
 3. CAPACITANCE VALUES ARE INDICATED IN MICRO FARADS UNLESS OTHERWISE NOTED. (P=MICRO-MICRO FARAD)
 4. ALL CAPACITORS TEMPERATURE CHARACTERISTICS ARE [CH] (LESS THAN 1000PF) OR [B] (MORE THAN 1000PF) UNLESS OTHERWISE NOTED.
 5. CHIP CAPACITORS TYPE ARE [1000] 50V UNLESS OTHERWISE NOTED.
 6. RESISTOR TOLERANCES ARE J UNLESS OTHERWISE NOTED.

DESIGN	DRAWN BY	UNIDEN NO.	MODEL NO.
"01. 5. 23	"01. 9. 24	UB-303AL	UBC280XLT
Y. HOSHI	Y. HOSHI	TITLE KEY ASS'Y SCHEMATIC DIAGRAM	
CHECK BY	APPROV BY	DRAWING NO. E12-6756	
REV. NO.	UNIDEN CORP.		

UNIDEN CORP.

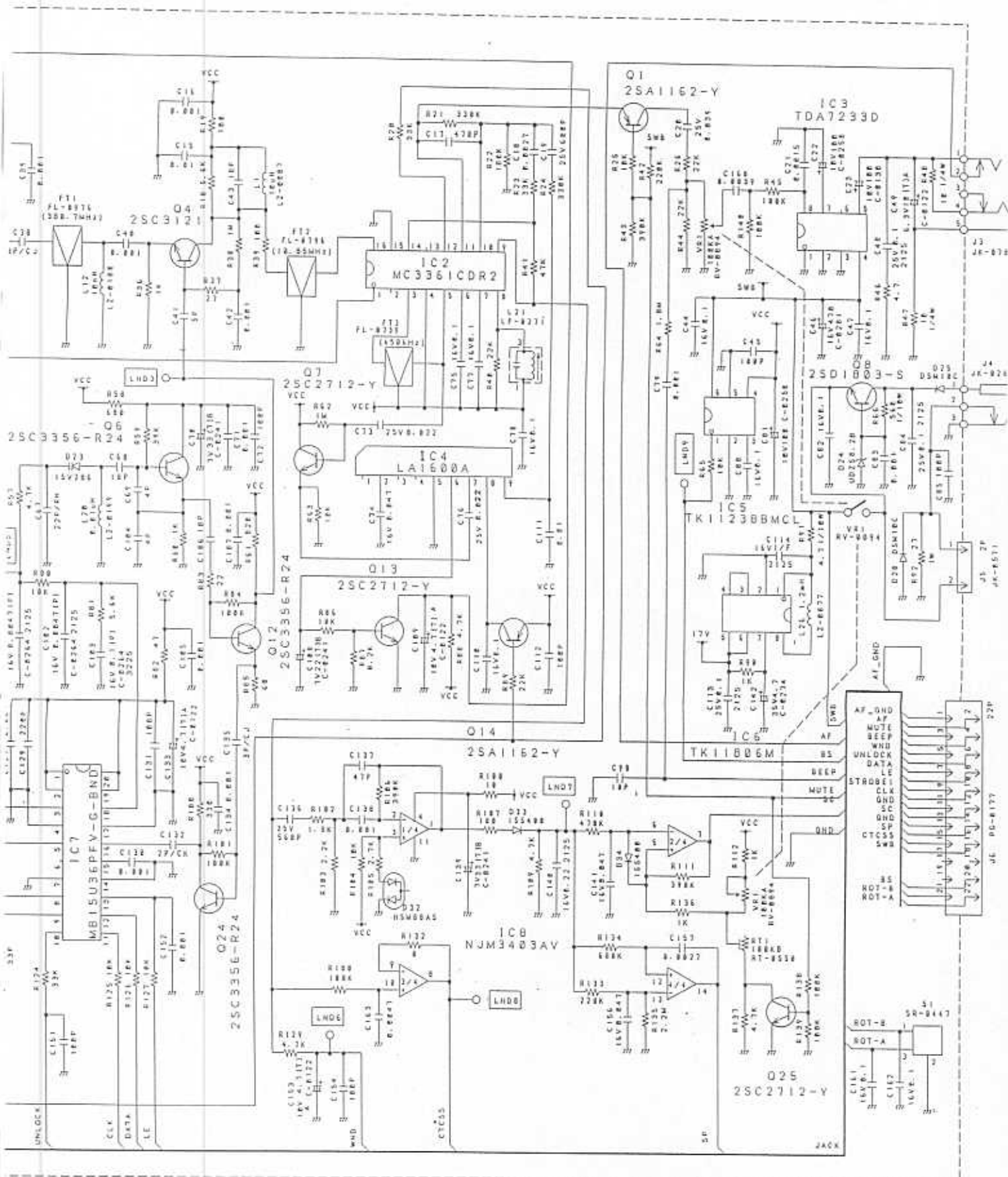


- AT551 AT-315
- BT581 BT-381
- W581 W-811924
- SP581 SP-8488
- AD551 AD-285
- EP551 EP-889



REVISIONS	REV. CODE	DATE	LOTS/PHS	REVISOR	CHECKED BY

B/N 930780 (1) Main PCB
2424



- NOTES:
1. RESISTANCE VALUES ARE SHOWN IN OHMS UNLESS OTHERWISE NOTED. (K-KILO OHM, M-MEG OHM)
 2. RESISTOR WATTAGES ARE (1/16W) UNLESS OTHERWISE NOTED.
 3. CAPACITANCE VALUES ARE INDICATED IN MICRO FARADS UNLESS OTHERWISE NOTED. (P-MICRO-MICRO FARAD)
 4. ALL CAPACITORS TEMPERATURE CHARACTERISTICS ARE [CH] (LESS THAN 100PPF) OR [B] (MORE THAN 100PPF) UNLESS OTHERWISE NOTED.
 5. CAPACITOR TYPE ARE [1500] 50V UNLESS OTHERWISE NOTED.
 6. RESISTOR TOLERANCES ARE J UNLESS OTHERWISE NOTED.

P/N 930280 (2)

UBC280 X-7
MAIN PCB

DESIGN	DRAWN BY	UNIDEN NO.	MODEL NO.
BT. 5. 23	BT. 1. 28	UB-303AL	UBC280XLT
Y. HOSHI	Y. HOSHI	FIELD MAIN ASS'Y SCHEMATIC DIAGRAM	
CHECK BY	APPROV BY	DRAWING NO.	
<i>[Signature]</i>	<i>[Signature]</i>	E12-6755	
REV. #1		UNIDEN CORP.	

UNIDEN CORP.